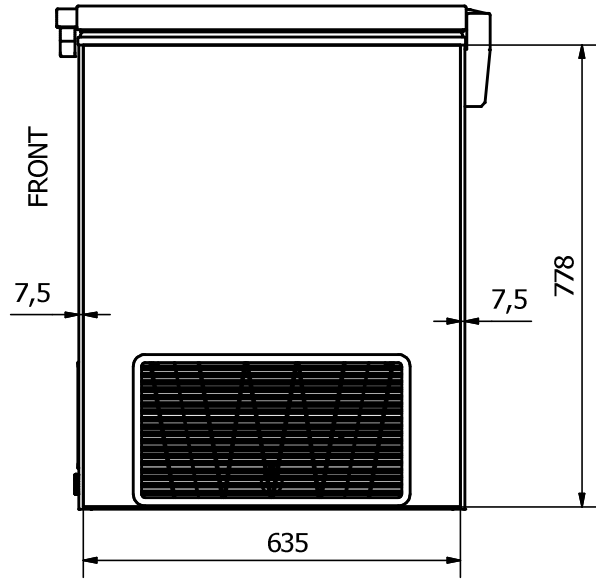
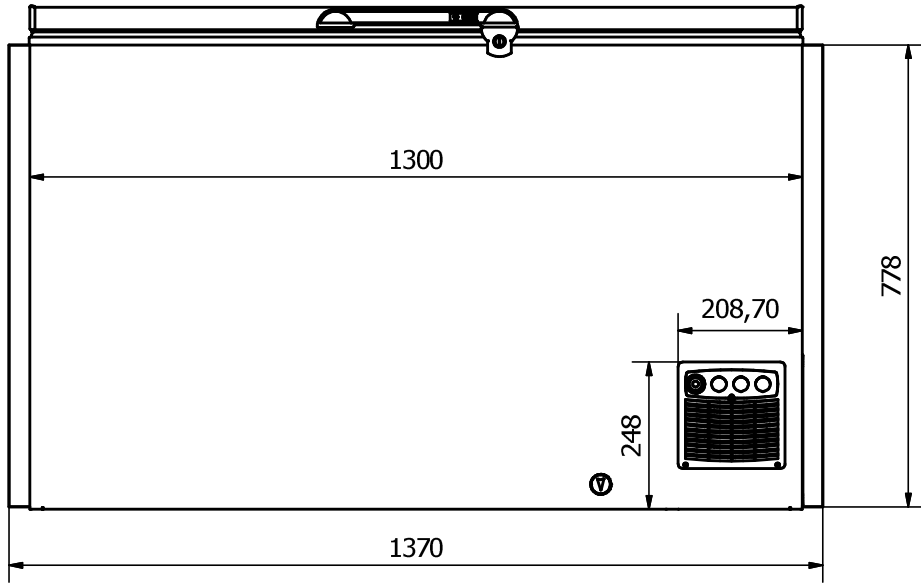


EL 45

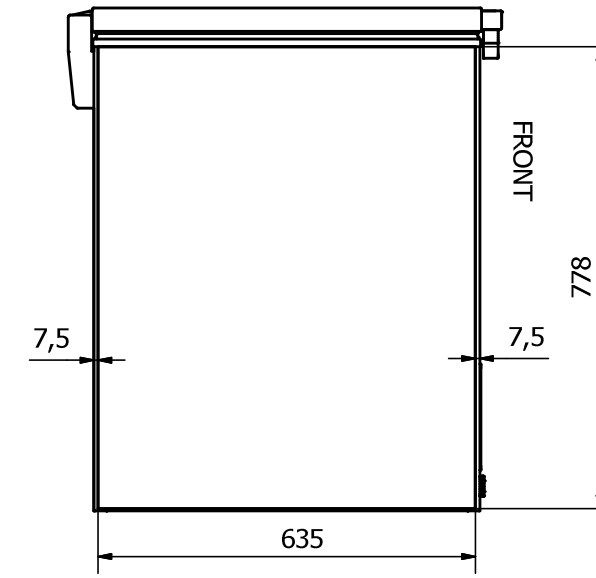
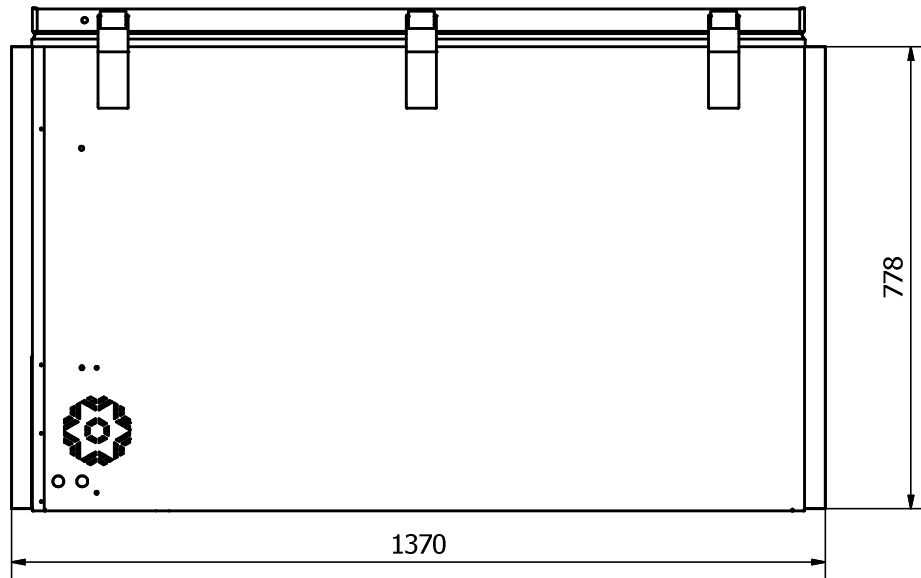
FRONT: Sticker 1370 x 778 mm

RIGHT SIDE: Sticker 635 x 778 mm



BACK: Sticker 1370 x 778 mm

LEFT SIDE: Sticker 635 x 778 mm



Comments:

The FRONT and the BACK stickers will be taken around the corners by approx. 35 mm in each side
 The SIDE stickers will be mounted approx. 7,5 mm from the FRONT and 7,5 mm from the BACK

Designed by	Checked by	Approved by	Date	Date	
Marina Pedersen				20-08-2020	
Elcold Aps			Streamer measurements 4-sided, mm		
			EL 45	Edition	Sheet
					1 / 1