

4

3

2

1

D

D

C

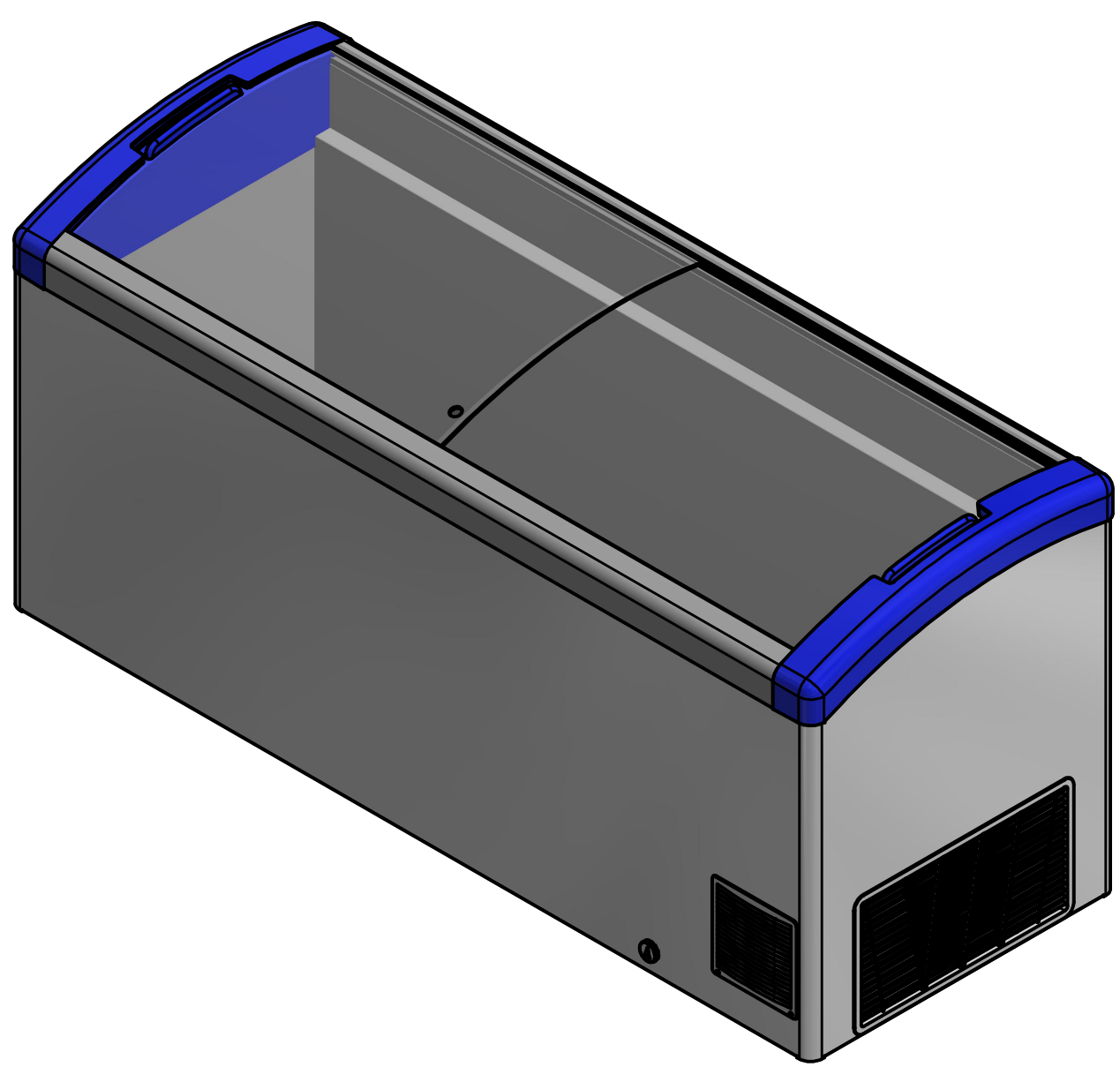
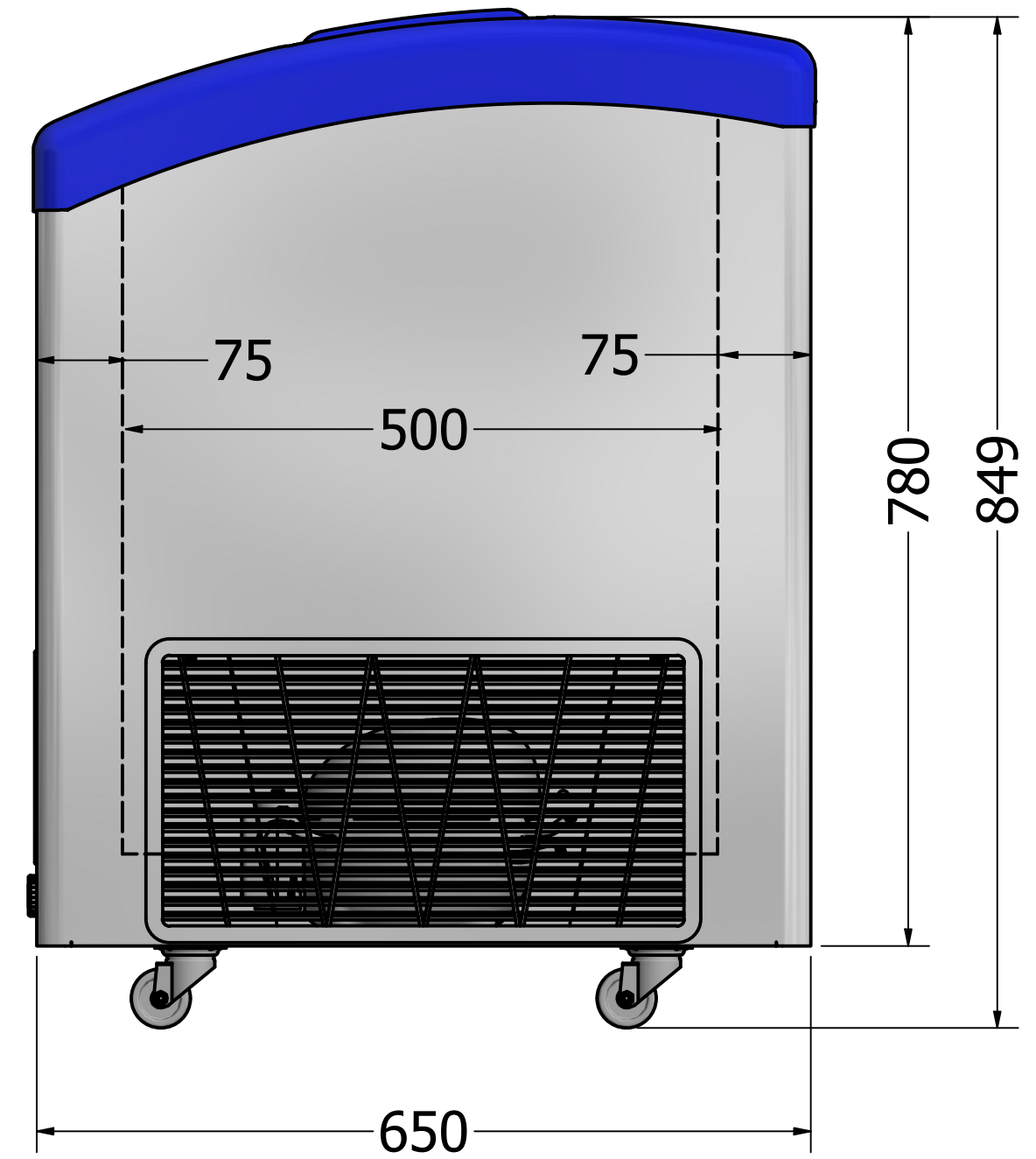
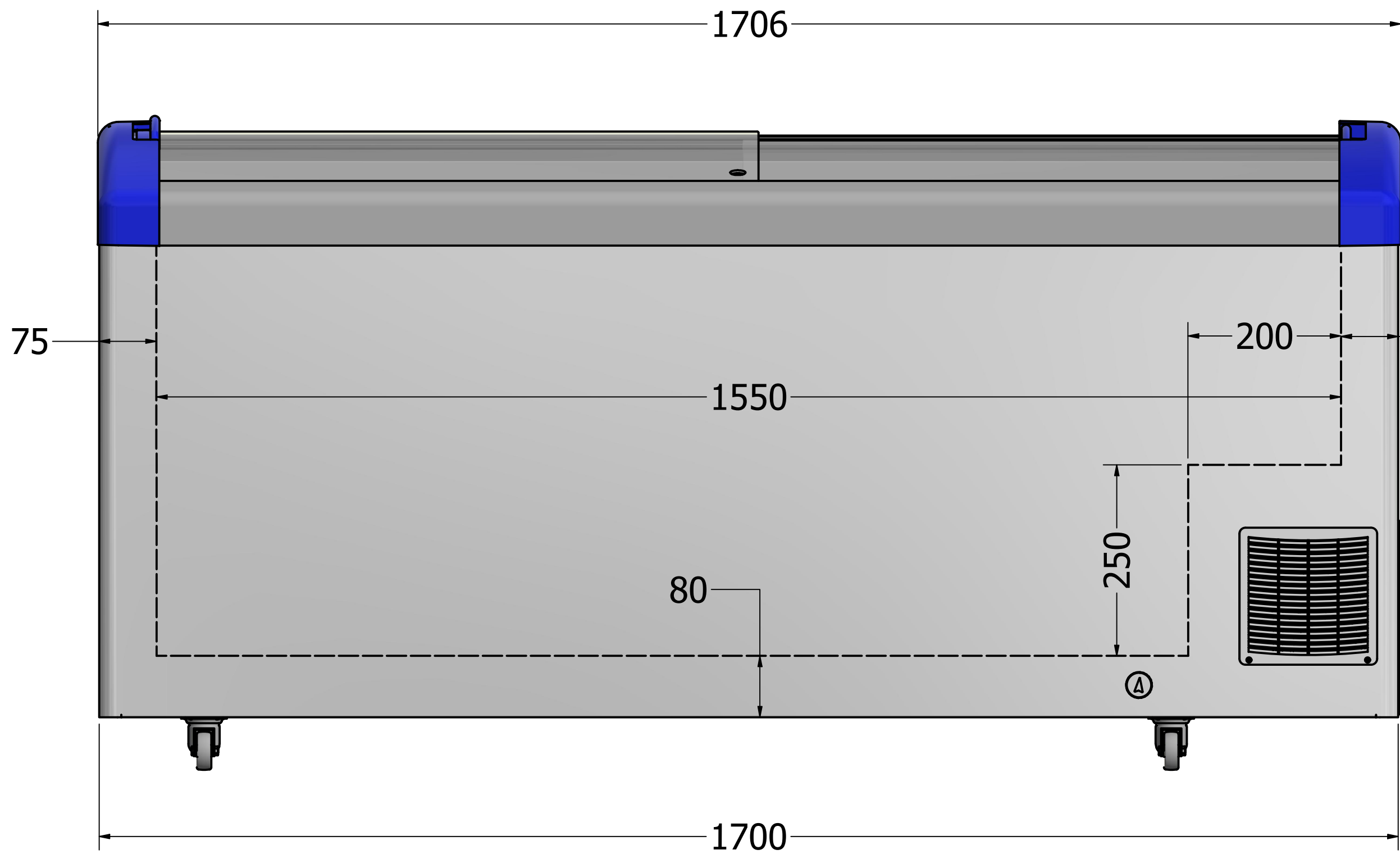
C

B

B

A

A



|          |                 |            |              |     |
|----------|-----------------|------------|--------------|-----|
| DRAWN    | Marina Pedersen | 01-09-2021 |              |     |
| CHECKED  |                 |            | TITLE        |     |
| QA       |                 |            |              |     |
| MFG      |                 |            |              |     |
| APPROVED |                 |            |              |     |
|          |                 | SIZE       | DWG NO       | REV |
|          |                 | C          | Focus 171    |     |
|          |                 | SCALE      | SHEET 1 OF 1 |     |