

4

3

2

1

D

D

C

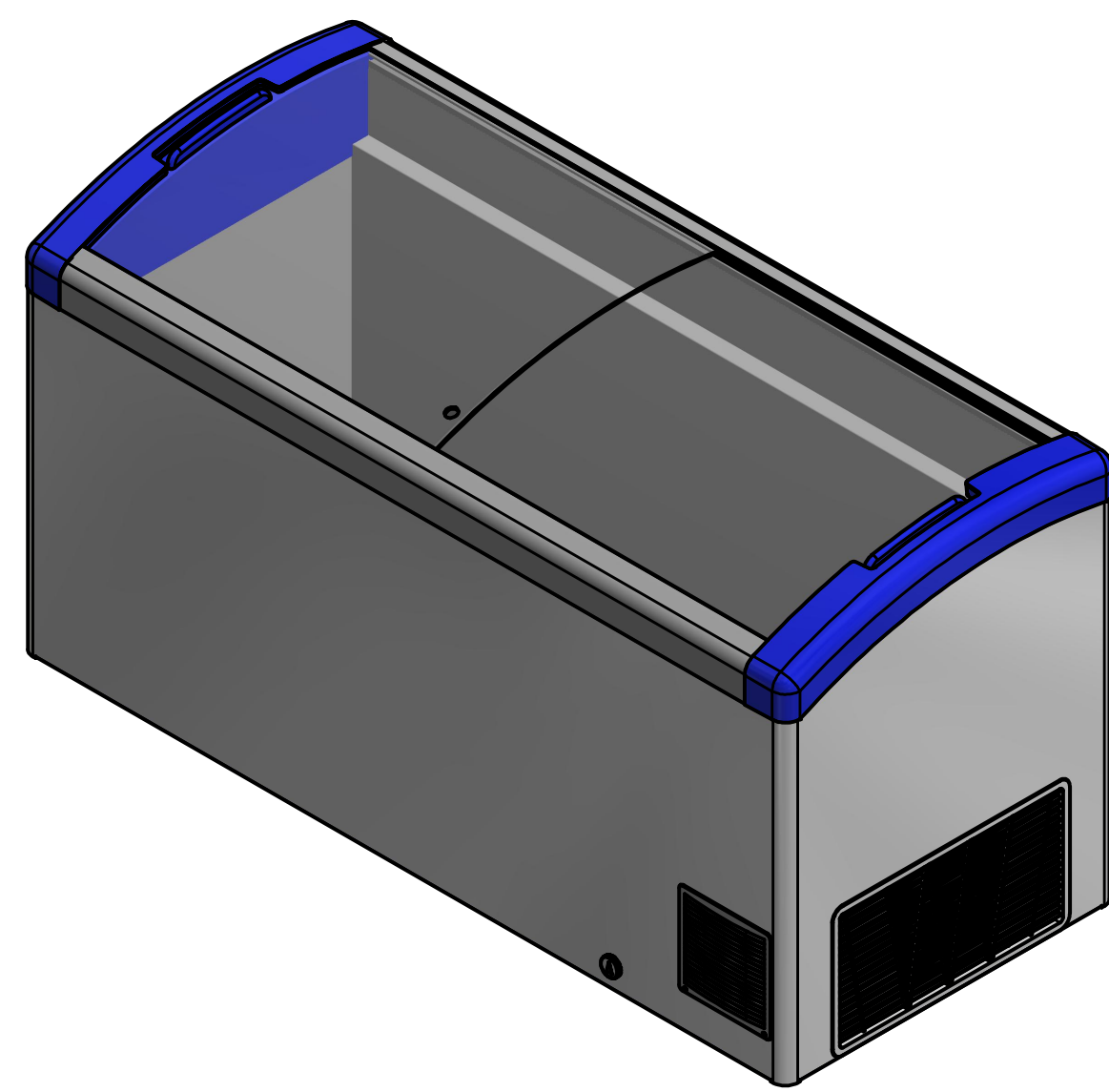
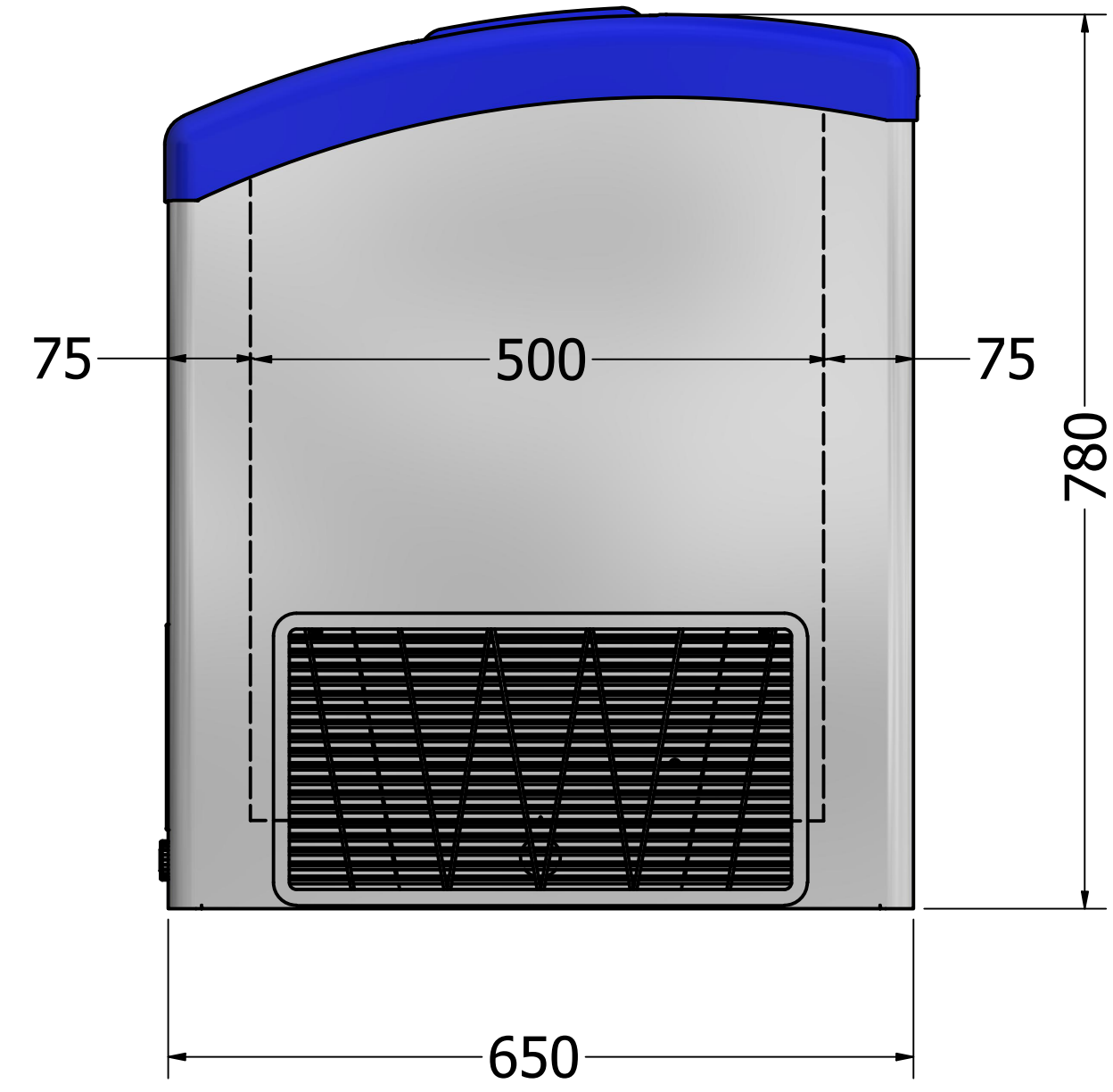
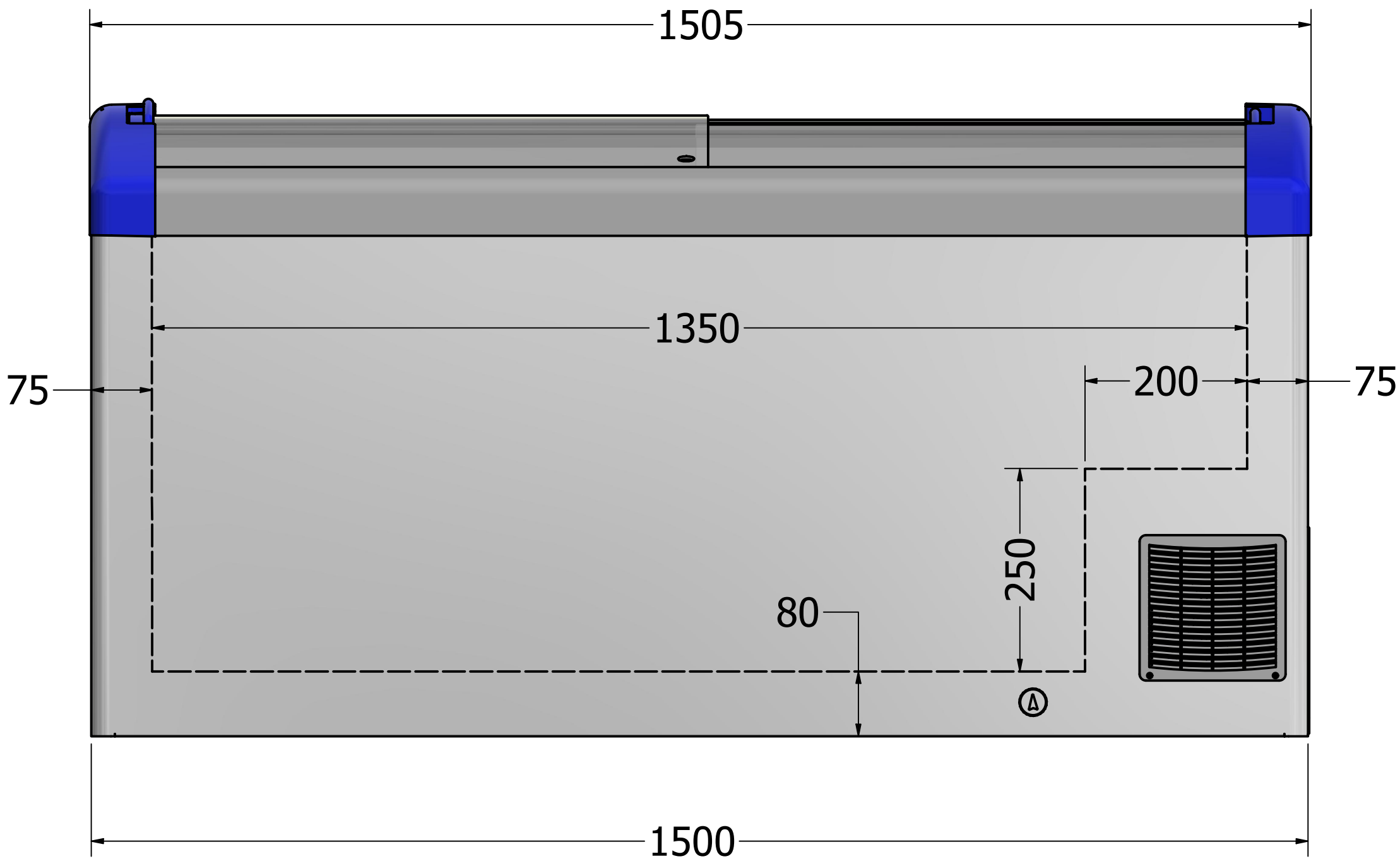
C

B

B

A

A



DRAWN Marina Pedersen	01-09-2021			
CHECKED		TITLE		
QA				
MFG				
APPROVED				
		SIZE C	DWG NO Focus 151	REV
		SCALE	SHEET 1 OF 1	

4

3

4

2

1