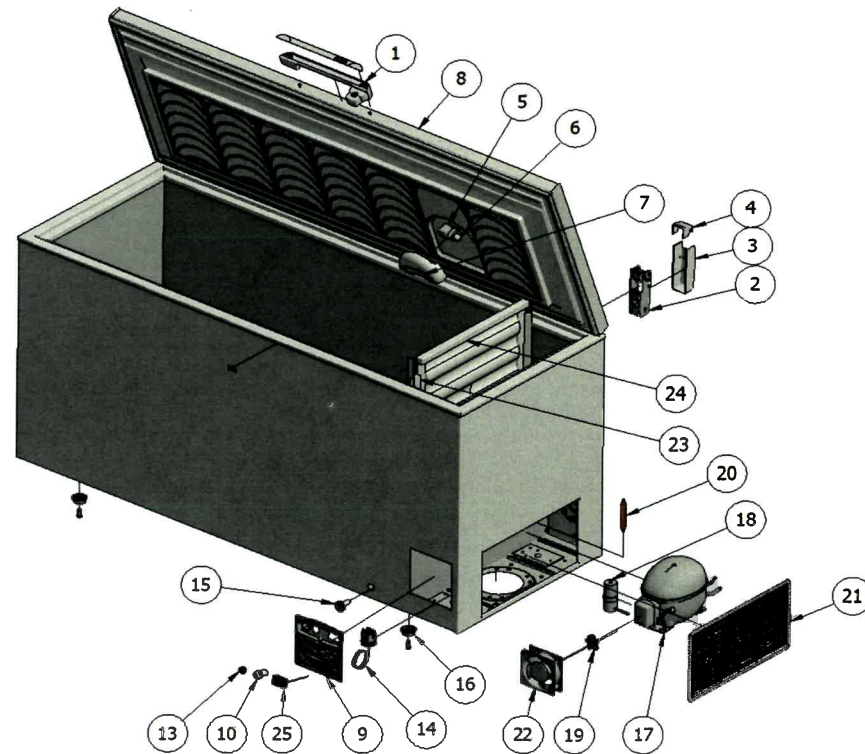
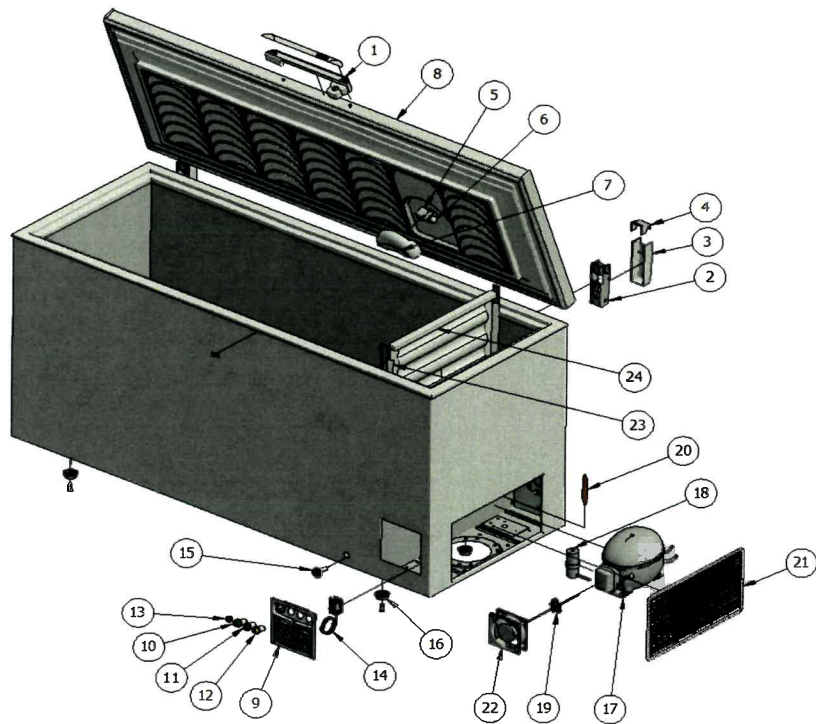




OTHER

21	GRILL F/ENGINE ROOM	SP1417	SP1417	SP1417	SP1417	SP1417	SP1417
20	DRYING FILTER 6 MM	FILTER6XH9	FILTER6XH9	FILTER6XH9	FILTER6XH9	FILTER6XH9	FILTER6XH9
22	FAN for 230V	BLAES230HBT	BLAES230HBT	BLAES230HBT	BLAES230HBT	BLAES230HBT	BLAES230HBT
22	FAN for 115V	BLAES115HBT	BLAES115HBT	BLAES115HBT	BLAES115HBT	BLAES115HBT	BLAES115HBT
	BASKET EL	KURVC150	KURVC150	KURVC150	KURVC150	KURVC150	----
	BASKET EL 71	----	----	----	----	----	KURVC200F
15	STOPPER FOR OUTSIDE DRAIN	E1HU	E1HU	E1HU	E1HU	E1HU	E1HU
24	PARTITION	SKILLERUM1	SKILLERUM1	SKILLERUM1	SKILLERUM1	SKILLERUM1	----
23	MOULDING F/PARTITION	STYRLIST1+0	STYRLIST1+0	STYRLIST1+0	STYRLIST1+0	STYRLIST1+0	----
16	FOOT COMPLETE	SP1412+SP1413	SP1412+SP1413	SP1412+SP1413	SP1412+SP1413	SP1412+SP1413	SP1412+SP1413



**PLASTMFP 08**  
Green/Red/Yellow



**PLASTMFP 05**  
Green+Termo



**PLASTMFP 04**  
Green/Red+Termo