

SPAREPARTS LIST CUBE



| ITEM NO. | DESCRIPTION | CUBE 22 | | CUBE 35 | | CUBE 45 | | CUBE 53 | | CUBE 61 | |
|----------|--|-----------------------|--|-----------------------|--|-----------------------|--|-----------------------|--|-----------------------|--|
| | | CODE | | CODE | | CODE | | CODE | | CODE | |
| 1 | CUBE LID UPPER | 8011.0112 | | 8011.0212 | | 8011.0312 | | 8011.0412 | | 8011.0512 | |
| 2 | CUBE LID LOWER | 8011.0113 | | 8011.0213 | | 8011.0313 | | 8011.0413 | | 8011.0513 | |
| 3 | GREY HANDLE FOR LID | HÄND10 | | HÄND10 | | HÄND10 | | HÄND10 | | HÄND10 | |
| 4 | MINI CASTORS UNDER LID (SET to 1 LID) | PLASTD5 - 4 pcs. | | PLASTD5 - 4 pcs. | | PLASTD5 - 4 pcs. | | PLASTD5 - 4 pcs. | | PLASTD5 - 4 pcs. | |
| | | PLASTD3, 4 - 2+2 pcs. | | PLASTD3, 4 - 2+2 pcs. | | PLASTD3, 4 - 2+2 pcs. | | PLASTD3, 4 - 2+2 pcs. | | PLASTD3, 4 - 2+2 pcs. | |
| 5 | DOWELS FOR LOCK (6 PCS) | PLASTD6 | | PLASTD6 | | PLASTD6 | | PLASTD6 | | PLASTD6 | |
| 6 | LOCK KIT COMPLETE | 8100.0301 | | 8100.0301 | | 8100.0301 | | 8100.0301 | | 8100.0301 | |
| 7 | LOCK HOLDER IN UPPER GLASS | PLASTD31 | | PLASTD31 | | PLASTD31 | | PLASTD31 | | PLASTD31 | |

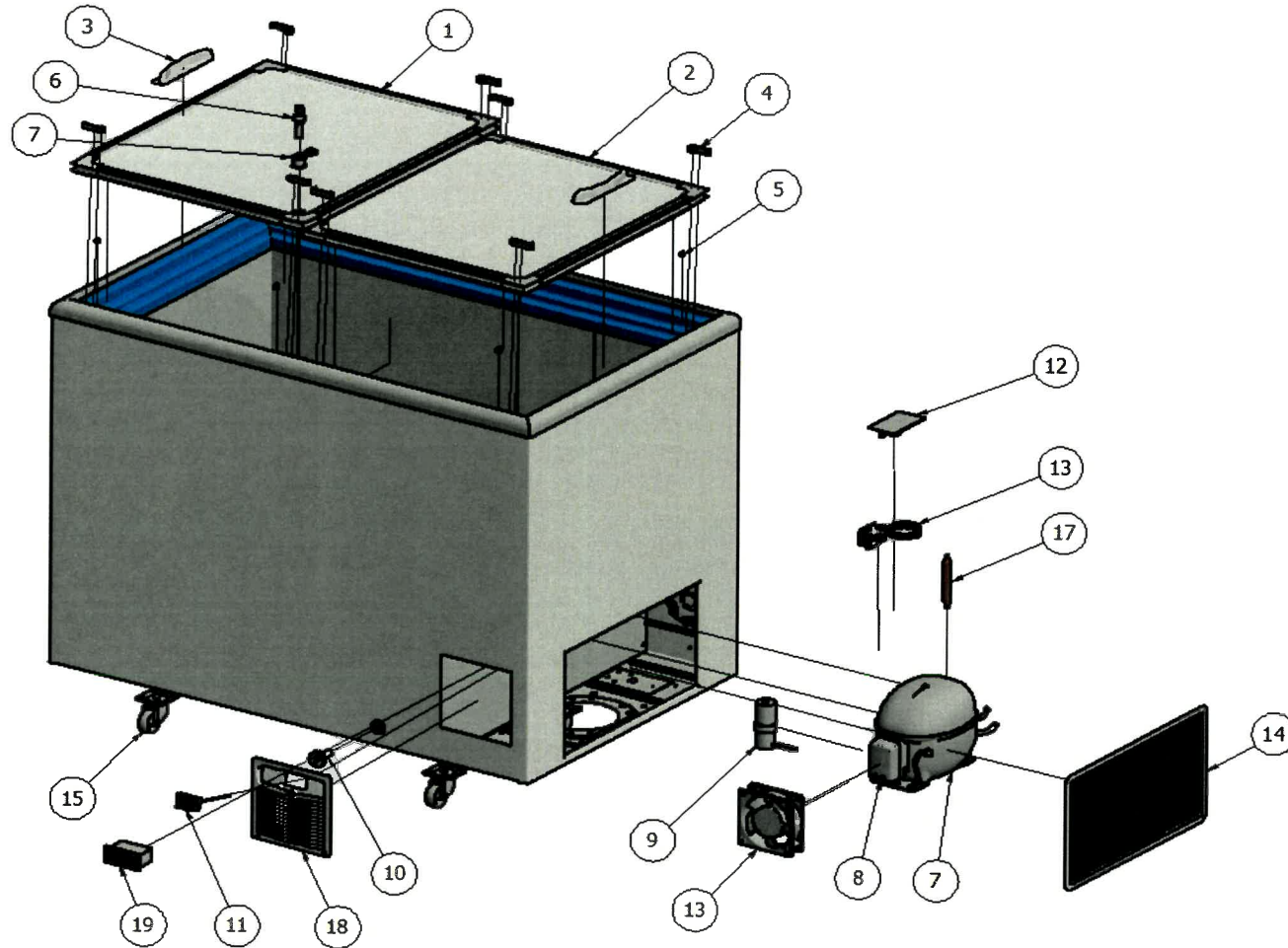
MOTOR COMPARTMENT

| | | | | | | | | | | | |
|---|-----------------------------------|------------|--|------------|--|------------|--|------------|--|------------|--|
| 7 | COMPRESSOR 230V/50Hz - R600a CC.4 | EMY80CLP | | EMY80CLP | | NLE15KK.4 | | | | - | |
| 8 | STARTING RELAY | EMY80CLPRE | | EMY80CLPRE | | | | - | | - | |
| 9 | START CAPACITOR | - | | - | | - | | - | | - | |
| 7 | COMPRESSOR 230V/50HZ - R290 CC.4 | EMT2117U | | EMT2121U | | NEU2140U | | NEU2140U | | NEU2140U | |
| 8 | STARTING RELAY | | | | | NEU2140URE | | NEU2140URE | | NEU2140URE | |
| 9 | START CAPACITOR | | | | | NEU2140USK | | NEU2140USK | | NEU2140USK | |

| ITEM NO. | DESCRIPTION | CUBE 22 | | CUBE 35 | | CUBE 45 | | CUBE 53 | | CUBE 61 | |
|----------|-------------|---------|--|---------|--|---------|--|---------|--|---------|--|
| | | CODE | | CODE | | CODE | | CODE | | CODE | |

OTHER

| | | | | | | | | | | | |
|----|------------------------------------|------------------|--|------------------|--|------------------|--|------------------|--|------------------|--|
| 10 | STOPPER FOR OUTSIDE DRAIN | E1HU | | E1HU | | E1HU | | E1HU | | E1HU | |
| 11 | DIGITAL THERMOMETER | FTERMOMETB2 | | FTERMOMETB2 | | FTERMOMETB2 | | FTERMOMETB2 | | FTERMOMETB2 | |
| 12 | THERMOSTAT PANEL | E35H | | E35H | | E35H | | E35H | | E35H | |
| 13 | THERMOSTAT R600A | TERMOSTAT13 | | TERMOSTAT13 | | TERMOSTAT13 | | TERMOSTAT13 | | TERMOSTAT13 | |
| 13 | THERMOSTAT R290 | TERMOSTAT11 | | TERMOSTAT11 | | TERMOSTAT11 | | TERMOSTAT11 | | TERMOSTAT11 | |
| 14 | GRILL FOR ENGINE COMPARTMENT | SP1417 | | SP1417 | | SP1417 | | SP1417 | | SP1417 | |
| 15 | CASTORS 4 PCS KIT | 8100.0200 | | 8100.0200 | | 8100.0200 | | 8100.0200 | | 8100.0200 | |
| 15 | CASTORS 2 PCS WITH/2 PCS W/O BRAKE | 8100.0202 | | 8100.0202 | | 8100.0202 | | 8100.0202 | | 8100.0202 | |
| 20 | Fan230V | BLAES230 HBT | | BLAES230 HBT | | BLAES230 HBT | | BLAES230 HBT | | BLAES230 HBT | |
| 20 | Fan115V | BLAES115 HBT | | BLAES115 HBT | | BLAES115 HBT | | BLAES115 HBT | | BLAES115 HBT | |
| 17 | FILTER DRYER | FILTER6XH9 | | FILTER6XH9 | | FILTER6XH9 | | FILTER6XH9 | | FILTER6XH9 | |
| 18 | FRONT VENTILATION GRILL | PLASTMFP13,14,15 | | PLASTMFP13,14,15 | | PLASTMFP13,14,15 | | PLASTMFP13,14,15 | | PLASTMFP13,14,15 | |



PLASTMFP13
w. DIXELL



PLASTMFP14



PLASTMFP15
w. Thermometer

115 volt 60 Hz

UL SPEC.

| ITEM NO. | DESCRIPTION | CUBE 22 | | CUBE 35 | | CUBE 45 | | CUBE 53 | | CUBE 61 | |
|----------|---|--------------|--|--------------|--|--------------|--|--------------|--|--------------|--|
| | | CODE | | CODE | | CODE | | CODE | | CODE | |
| 19 | Electronic thermostat 115V Incl. sensor | DIXELL30CH1 | | DIXELL30CH1 | | DIXELL30CH1 | | DIXELL30CH1 | | DIXELL30CH1 | |
| 13 | Mechanical thermostat R290 | TERMOSTAT11 | | TERMOSTAT11 | | TERMOSTAT11 | | TERMOSTAT11 | | TERMOSTAT11 | |
| 20 | Fan115V | BLAES115 HBT | | BLAES115 HBT | | BLAES115 HBT | | BLAES115 HBT | | BLAES115 HBT | |
| 7 | Compressor 120V 60HZ, R290 | EMI70UER | | EMI90UEX | | NEU2140U1 | | NEU2140U1 | | NEU2140U1 | |
| | Multiplug with cable | TSKU0102 | | TSKU0102 | | TSKU0102 | | TSKU0102 | | TSKU0102 | |
| 8 | Starting relay | | | | | NEU2140U1RE | | NEU2140U1RE | | NEU2140U1RE | |
| 9 | Starting capacitor | | | | | NEU2140U1SK | | NEU2140U1SK | | NEU2140U1SK | |
| | Motor protector/ KLIXON | | | | | NEU2140U1KL | | NEU2140U1KL | | NEU2140U1KL | |